



TOOLS REQUIRED

- 5/16" Box/ End Wrench
- 1/2" Box/End Wrench
- 1/4" Ratchet and 6" Extension
- 1/2" Socket 1/4" Drive
- 3/8" Ratchet with 9/16" Socket
- Flat Blade Screw Driver
- 3/16" Allen Wrench
- 5/16" Nut Drive
- Snap Ring Pliers
- Hi-Temp Silicone Sealer

ITEMS SUPPLIED

Description	Part #	Qty
Front Header		1
Rear Header		1
Front Heat Shield		1
Rear Heat Shield		1
Mounting Bracket	25-00420	1
2 1/4" Stainless Steel Clamp	16-00285	6
James Exhaust Gasket	20-00003	1pr
Transmission Round Spacer	29-00302	3
5/8" Alum. Spacer	29-00305	1
O2 Sensor 18mm Bung Plug	35-00084BA	1
5/16-18 x 3/4" Hex Head Bolt	35-00003	4
5/16-18 x 1 1/4" Hex Head Bolt	35-00006	1
5/16-18 x 3 1/4" SHCS	35-00304	3
5/16-18 Nylok Nut	35-00005	4
5/16" Flat Washers	35-00007	8
Instructions & Warranty		1

PLEASE NOTE

Our warranty applies only when the system is installed correctly and used for its intended purpose. Warranty does not apply when damage is the result of normal wear and tear, improper use, neglect or incorrect engine configuration. See warranty notice in box for more information.

Installation Instructions

HARLEY DAVIDSON 2006 - 2013 DYNA CROSS BACKS EXHAUST SYSTEM

Rev 9-23-2014

Thank you for buying a RINEHART exhaust system. We are committed to providing you a quality product that with the proper installation and care will last you for many years to come.

Please be sure to read the instructions fully and inspect all components of your new system before installation. If you do not have an understanding of how to remove your stock system, or how to install the RINEHART exhaust system you should seek the advice and/or skill of a professional mechanic. Please keep all OEM parts as some may be used for the installation of the RINEHART exhaust system. If you are installing the system and are not the owner, please return these instructions to the owner as they contain important information that may be required at a later date.

If you have questions pertaining to the installation, please contact our technical service department: 1.877.264.8282 or www.rinehartracing.com

Exhaust systems manufactured by Rinehart Racing are non-catalyst. A stock catalyst exhaust system cannot be replaced with a non catalyst exhaust system. Please verify the application with your dealer before purchase.

INSTALLATION INSTRUCTIONS

1. Remove the seat and locate the OEM rear O2 sensor connector. Disconnect the terminal. Leave the rear O2 sensor in OEM pipe.
2. Disconnect the front O2 sensor connector.
3. Remove the OEM exhaust system along with the stock rear mounting bracket.
4. Remove the OEM exhaust flanges and cir-clips. Be careful as you will be re-using both the exhaust flanges and the cir-clips (replace damaged cir-clips). We recommend the use of snap ring pliers.
5. Install the OEM exhaust flanges and cir-clips on Rinehart systems.
6. Remove and discard the OEM style exhaust gaskets. It may be necessary to pry them out with a scribe or small screw driver. Use caution not to damage the cylinder heads. Failure to remove stock gaskets will result in improper fitment.
7. Install new James Exhaust Gaskets (supplied) into the front and rear cylinder exhaust ports. Be sure the new gaskets are seated in the cylinder heads.
8. Remove the 2 OEM mounting bracket studs from transmission case. You will not be using them.
9. Remove the 2 OEM lower transmission case Allen bolts. You will not be using them.
10. Install the new mounting brackets and spacers. Use the 3ea. 5/16-18 x 3 1/4" Allen bolts with 5/16" flat washers (supplied). Torque Allen bolts to 13-15 ft. lbs.
11. If applicable, remove OEM O2 sensors from the OEM pipes and install in both front and rear Rinehart pipes. Torque to manufacturer specifications. Recommend using anti-seize on O2 sensor threads before installing. (Do not get any anti-seize on O2 sensor tips.)
12. Install Rear pipe. Finger tighten OEM exhaust flange nuts.
13. Slide 5/16-18 x 3/4" bolt (2 supplied) into the mount bracket on rear of pipe. Next insert the bolts through the new exhaust mounting bracket coming off the transmission case. Install 5/16 flat washers (2 supplied) with the 5/16-18 locking nuts (2 supplied). Finger tighten.
14. Tighten OEM exhaust flange nuts on rear pipe. Torque 13-15 ft. lbs.

TUNING

Adjustment of fuel injection is REQUIRED to optimize performance and minimize chrome discoloration. We recommend that adjustment of fuel injection be performed by QUALIFIED technicians on a dynamometer utilizing an Exhaust Gas Analyzer.

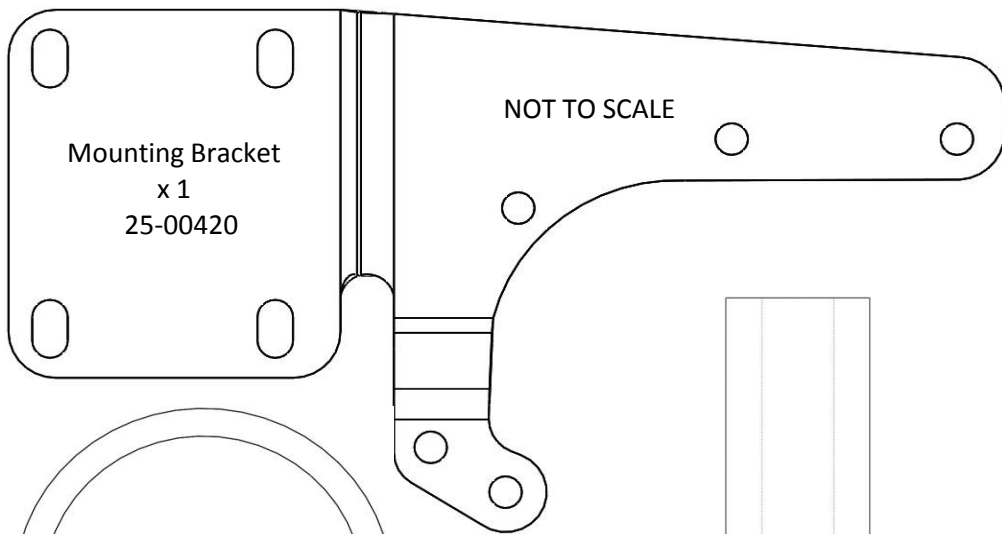
15. Install rear Heat Shield. Use care to line the H.S. up with the weld on the header pipe, don't scratch the muffler.
 16. Install front pipe. Finger tighten OEM exhaust flange nuts.
 17. Slide 5/16-18 x 3/4" bolts (2 supplied) into the mount bracket on rear of pipe. Next insert the bolts through the new exhaust mounting bracket coming off the transmission case. Install 5/16 flat washers (2 supplied) with the 5/16-18 locking nuts (2 supplied). Finger tighten.
 18. Tighten OEM exhaust flanges nuts on front pipe. Torque 10-12 ft. lbs.
 19. Install front Heat Shield tighten back clamp first, then tighten the clamp by head. Again use care not to scratch.
 20. Check alignment of both pipes. Tighten 5/16"-18 mounting bracket nuts. Torque 13-15 ft. lbs.
 21. Tighten all heat shield clamps. Make sure all clamps are hidden from view.
 22. If applicable reconnect both OEM O2 sensors.
- Important!** Wipe down complete system with glass cleaner **before** starting bike to remove any finger prints or dirt.
Note: Finger prints that are not removed before running will become permanently etched in the pipes.
Enjoy your new Rinehart System.
Check all fasteners after first ride and again at all service intervals.

CLEANING

Never use harsh chemicals or any type of abrasive material to clean the chrome on this exhaust system. We recommend using a soft non-abrasive cloth with a mild detergent such as liquid dish soap.

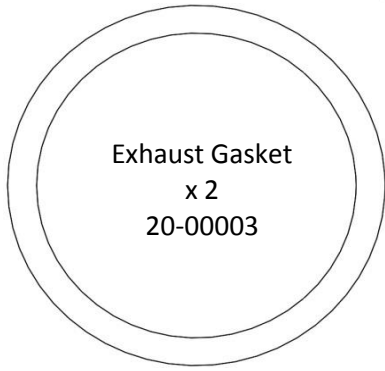
CONTACT US

Rinehart Racing
1-877-264-8282
www.rineharttracing.com

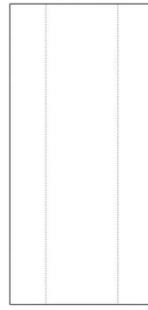


Mounting Bracket
x 1
25-00420

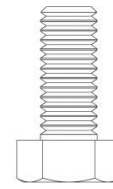
NOT TO SCALE



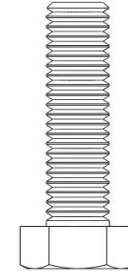
Exhaust Gasket
x 2
20-00003



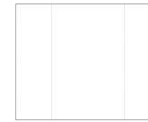
Transmission
Round Spacer
x 3
29-00302



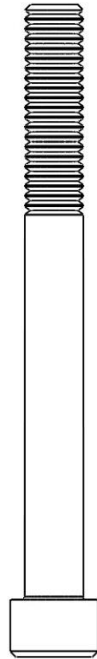
5/16" x 3/4"
Hex Bolt
x 4
35-00003



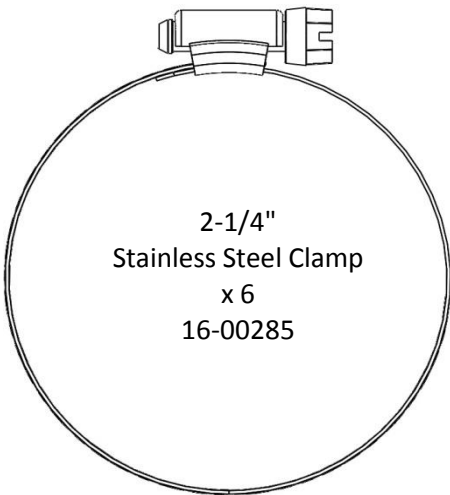
5/16" x 1-1/4"
Hex Bolt
x 1
35-00006



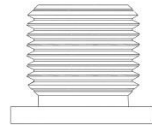
5/8"
Alum. Spacer
x 1
29-00305



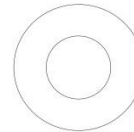
5/16" x 3-1/4"
Socket Head
Cap Screw
x 3
35-00304



2-1/4"
Stainless Steel Clamp
x 6
16-00285



18 mm
O2 Bung Plug
x 2
35-00084BA



5/16"
Flat Washer
x 8
35-00007



5/16"
Locking Nut
x 4
35-00005